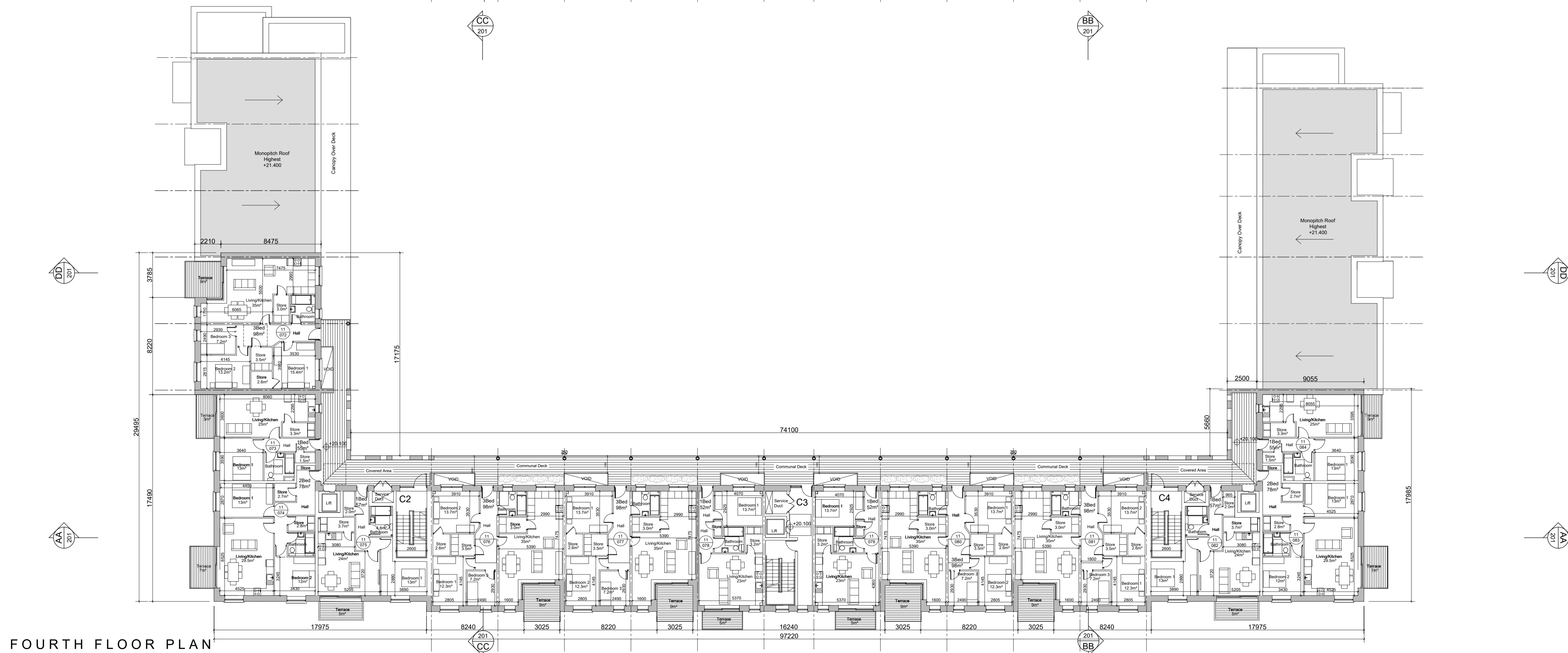


THIRD FLOOR PLAN

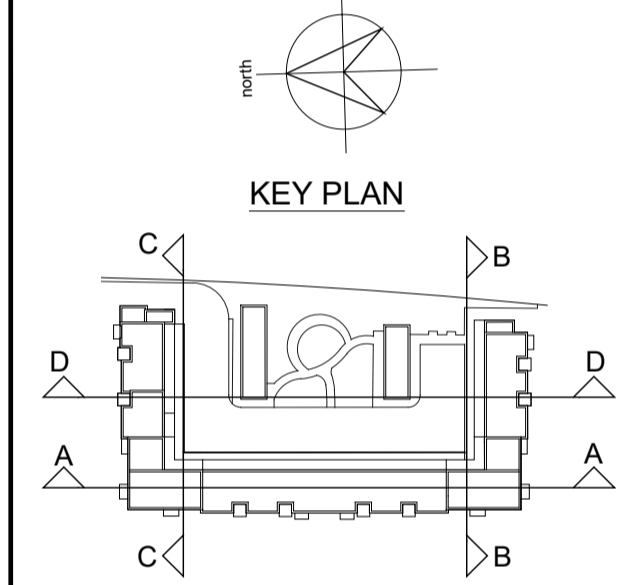


FOURTH FLOOR PLAN

- © This drawing is copyright.
- 1 Do not scale this drawing.
- 2 Errors and omissions to be immediately notified to Architect.
- 3 All dimensions to be checked on site.
- 4 To be read with relevant Engineers drawings.

**Note:**  
 Furniture and fittings shown are indicative.  
 Wardrobes in bedrooms are not counted as part of designated storage areas.

**Notes:**  
 All dimensions in millimetres  
 Refer to RMDA landscape drawings for landscape design



revisions	date	ins	drawing no.
description	1640 P 112	P	1640 P 112
Block 11 Third & Fourth Floor Plans	1:200 @A1	RB	1640 P 112
job	Block 11, Clongriffin, Dublin 13	date	JUL '19
client	Gerard Gannon Properties	drawn	CQ
issue	Clongriffin SHD 1 Planning	checked	RB
<p><b>CONROY CROWE KELLY</b>          ARCHITECTS &amp; URBAN DESIGNERS</p> <p>65 MERRION SQUARE          DUBLIN 2</p> <p>phone 01 6613990 fax 01 6765715          email info@ckk.ie</p>			